



vieworks

VP-16MC

**16 MEGA PIXEL, THERMOELECTRIC PELTIER COOLED,
HIGH SPEED PROGRAMMABLE DIGITAL CAMERA**



The VP-16MC is a thermoelectric Peltier cooled digital camera with 16 megapixel high resolution. Building on Vieworks's proven cooling technology, the VP-16MC camera provides superior imaging performance for the most demanding industrial and scientific applications. The sensor can be cooled up to 20 degrees below ambient temperature. The camera incorporates KODAK's KAI-16000 interline transfer CCD which provides 4,872(H)×3,248 (V) resolution and frame rates as high as 4 fps. Its selectable readout clock rate (standard 30MHz vs. overclock 40MHz) provides customers flexibility based on their application.

Main Features

- *Thermoelectric Peltier Cooled
- *16 megapixel High Resolution (4872 × 3248 pixels) @ max 4 fps
- *Kodak Interline Transfer Progressive Scan CCD Imager
- *Camera Link Interface
- *8/10/12 bit Digital Output,
- *User Defined LUT
- *Flat Field Correction
- *Field Upgradable Firmware
- *Defective Pixel Compensation
- *Available in Color or Monochrome

Applications

- *Flat Panel Display Inspection
- *Research and Scientific Imaging
- *Machine Vision Inspections
- *Microscopy and Metrology

www.vieworks.com



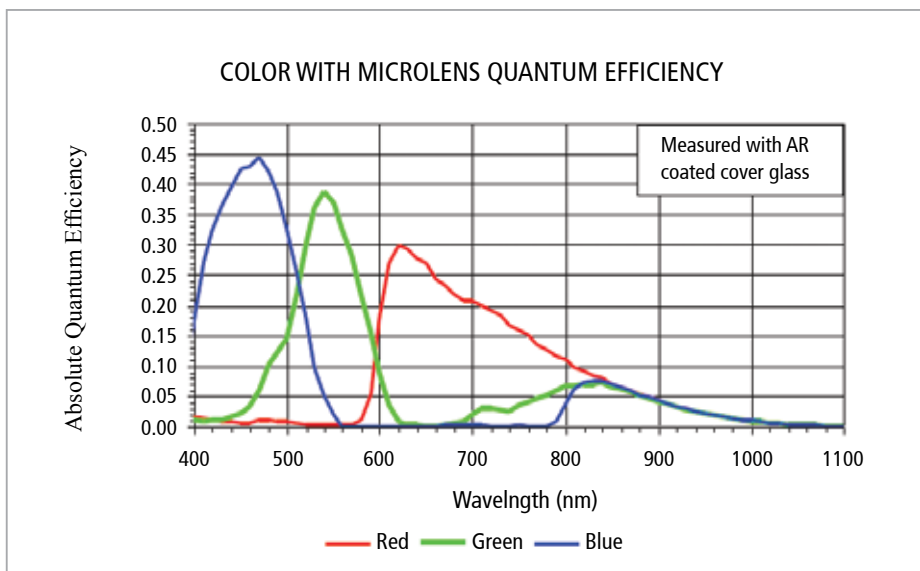
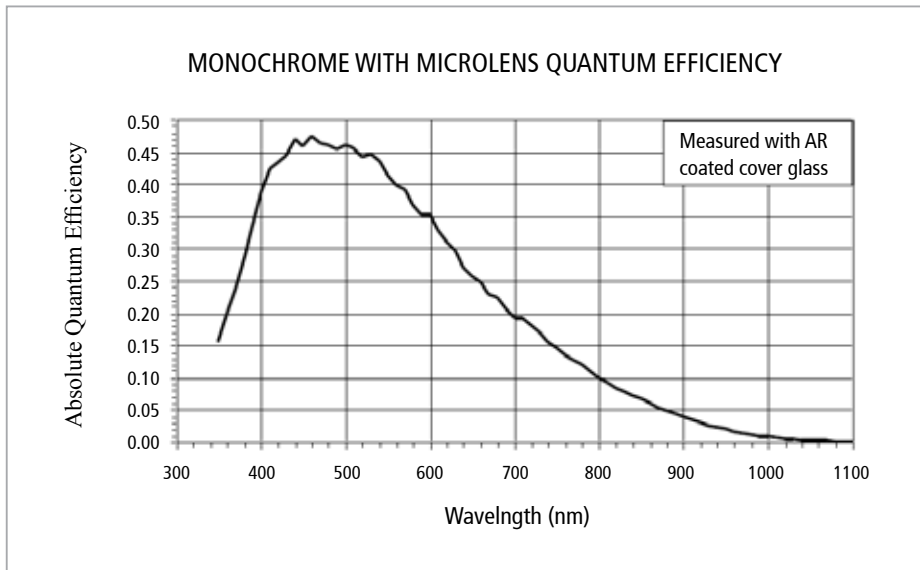
VP-16MC

16 MEGA PIXEL, THERMOELECTRIC PELTIER COOLED,
HIGH SPEED PROGRAMMABLE DIGITAL CAMERA

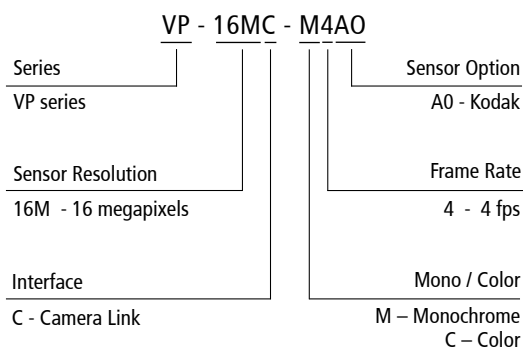
Specifications

Model	VP-16MC
Imaging Device	Kodak KAI-16000 (grade 1, color or monochrome), Interline, Progressive Scan
Active Image Pixels	4872 (h) × 3248 (v), 16 megapixels
Pixel size	7.4× 7.4 microns
Active Image Area	36 mm (h) × 24 mm (v)
Sensor Clock Rate	Switchable between 40MHz (overclock) / 30 MHz (standard)
Video Output	Digital, 8/10/12 bit, one(1) or two(2) Channel Output
Camera Interface	Base Camera Link
Max. Frame Rate	4.2 fps (dual) / 2.2 fps (single) at 40MHz, 3.2 fps (dual) / 1.7 fps (single) at 30MHz
Exposure Time	1/4500 sec to 7 sec (10 step)
Partial Scan	17 fps at 406 Lines (max. speed)
Gamma Correction	User defined LUT
Black Level Offset	Adjustable (0~127 LSB at 12 bit , 256 step)
Video Gain	Analog: 0 to 32 dB, 900 steps
Trigger Mode	Mode(free run , standard, fast, double, overlap)
External Trigger	3.3V - 5.0V, 10mA, optically isolated
Software Trigger	CC1, programmable exposure
Dynamic Range	> 64 dB
Lens Mount	No mount, F-mount
Cooling Method	Thermoelectric Peltier Cooling
Cooling Performance	20°C below ambient temperature – standard cooling with a fan
Power Requirements	10~14VDC , max. 25W
Environmental	Operating : -5°C to 40°C, Storage : -30°C to 65°C
Mechanical	125mm × 99mm × 106mm, 1290g (w/ F-mount adaptor)

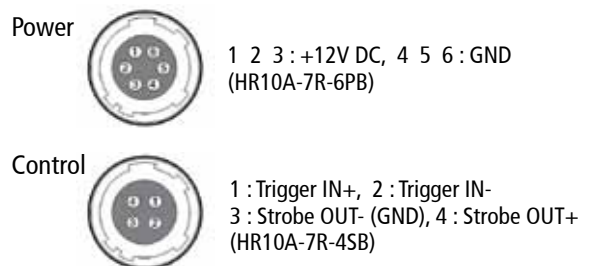
Quantum Efficiency Curves



Ordering Scheme



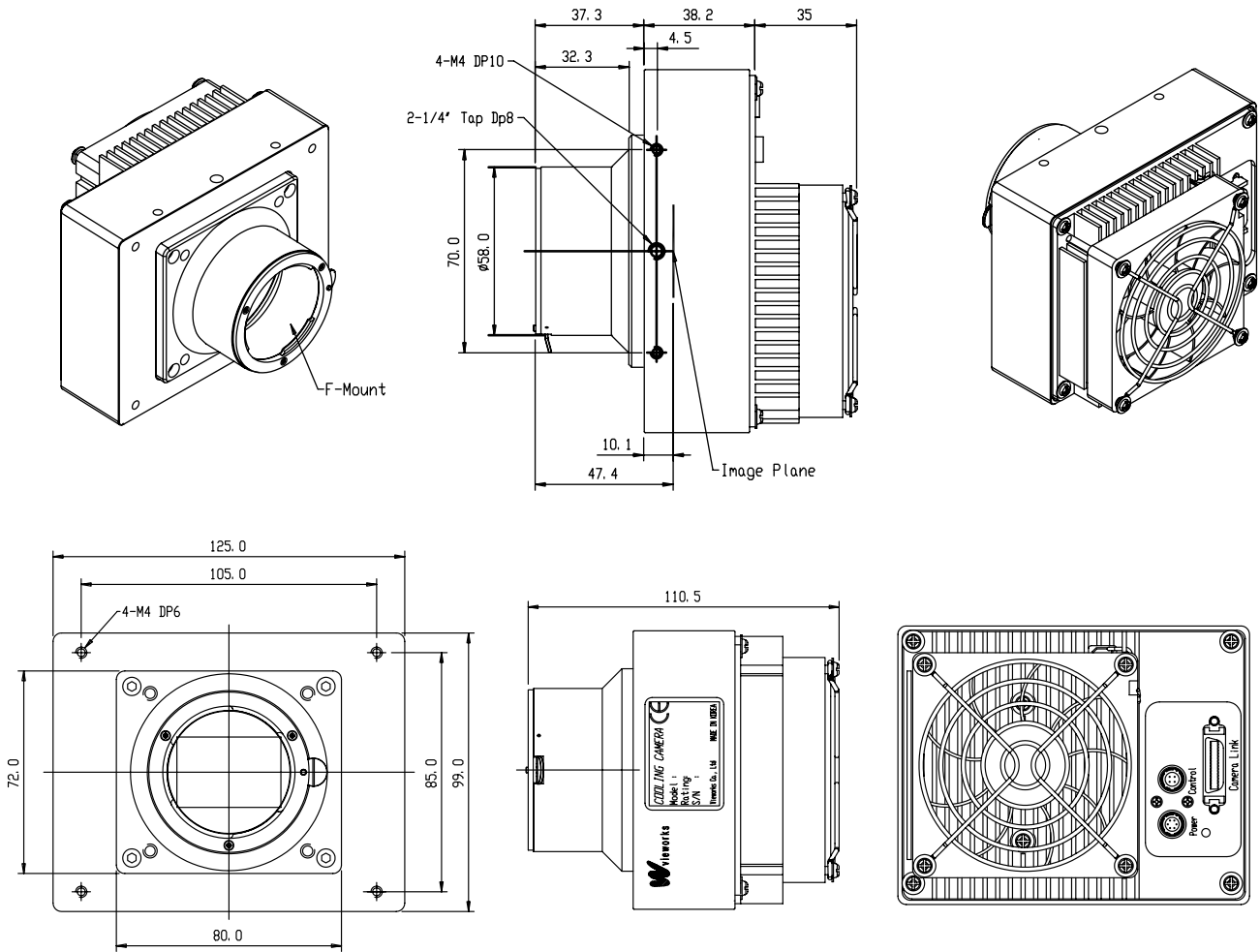
Connector Specifications



Connectors on camera body

Mechanical Dimensions

Unit : mm



For more information please contact local distributor or visit our website at www.vieworks.com

Reproduction in whole or in part without written permission is prohibited. Vieworks Co., Ltd. is not responsible for any technical or typographical errors and reserves the right to make changes to products, specifications and documentation without prior notice.

VMCB-VP01-R001EN

Contact



10955 Avenida Del Gato
San Diego, CA 92126
Tel: (585) 627-1609
Email: sales@visionsystech.com
www.visionsystech.com

ISO-9001, ISO-13485

Corporate Headquarters

Vieworks Co., Ltd. # 604 Suntechcity II, 307-2 Sangdaewon-dong, Jungwon-gu, Seongnam-city, Gyeonggi-do, 462-806 South Korea
tel +82-70-7011-6161 fax +82-31-737-4954 e-mail sales@vieworks.com web site <http://www.vieworks.com>